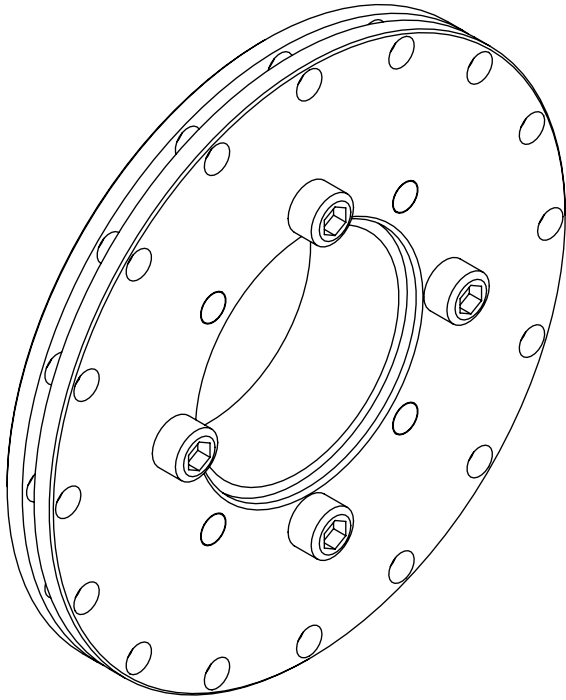
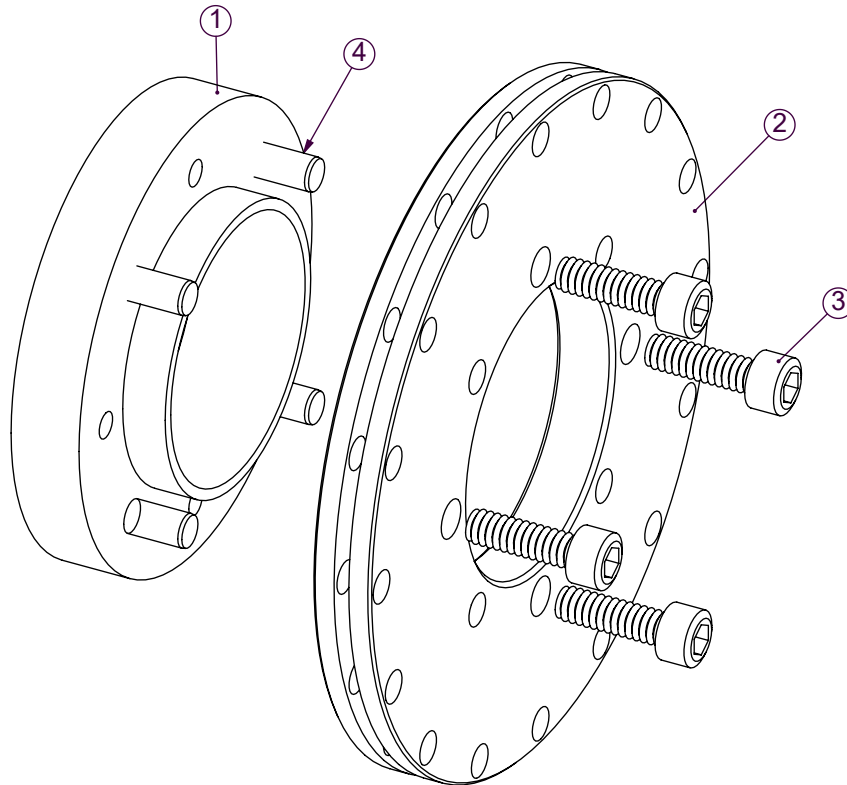


Hot Saw Drive Sprocket System



After years of doing custom sprockets and adaptors to convert motorcycle engines into hot saws for racing we now offer a system that will reduce the cost of adapting a chainsaw sprocket to the motorcycle engine.

For many engines the DS0270 NR Hub Blank can be machined to fit the stock drive gear and welded on. We can also make the NR hub to fit directly on the crankshaft on request.



ITEM No.	QTY.	PART No.	DESCRIPTION	REMARKS
1	1	DS0270	NR HUB BLANK	
2	1	DS0269	16T404NR	80 Gauge 404 Sprockets From 14 to 20 Teeth Available
3	4	FCCH0A	10-24 X 5/8 HEX SOCKET CAP SCREW	
4	4	FPD017	3/16" X 5/8" DOWEL PIN	